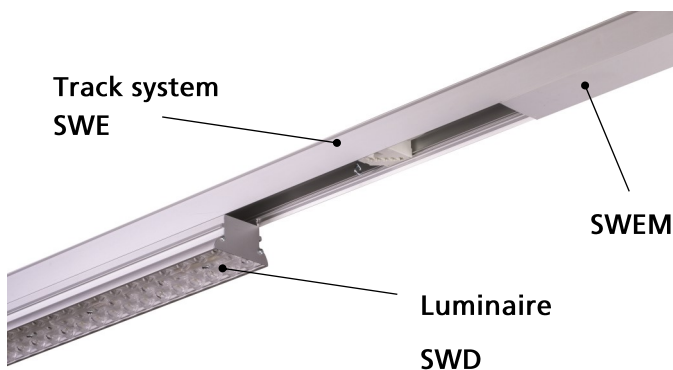


LED linear lighting system



Short Description: Indoor professional LED lighting system is an innovative solution that can provide significant energy savings and give a very good light output. Solution is based on LED linear lighting system including patented fast-track system, SWE. Track system SWE for quick modification and luminaires housing SWD made of high quality aluminum profiles designed to optimize the temperature of LEDs, which significantly raises luminous efficiency, extends the lifespan of luminaires and give a noticeable difference to your energy bills as well as helping to reduce your carbon footprint.

The solution is Plug & Play which besides noticeable cost savings for installation, also gives great flexibility when it comes to possible extensions or changes in LED line installations.

Application: Best suitable for illuminating warehouses, manufacturing plants, equestrian buildings. The system is designed to reduce both time and cost of an assembly process.

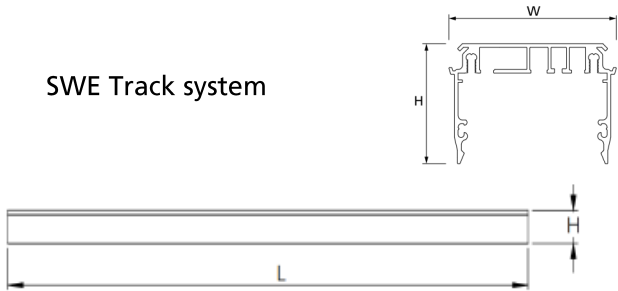
Light construction which does not weight down ceiling construction.

The luminous efficiency of LED lines reaches up to 170 lm/W.



Technical data sheet:

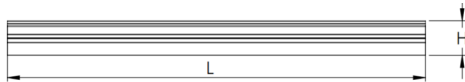
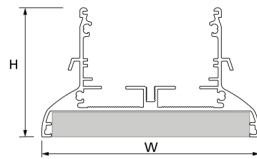
SWE Track system



DIMENSIONS

INDEX	L	W	H
SWE	6.000		
SWE	4.000	80	37
SWE	3.000		
SWDD	1.445	80	47

SWDI54 Luminaire



THREE-ROW OPTICS SYSTEM

Your colour:



LIGHT (COLOUR)

TEMPRITURE

	Colour temperature CCT	3000 K - 6500 K
	Power	60 W - 240 W
	Diffuser	60° / 90°
	Flux	5800 lm - 37200 lm
	CRI	Ra >80
	Control	ON/OFF / DALI / 1-10 V
	Housing	aluminium
	Protection IP	IP 54
	Fixing	ceiling / suspension
	Colour	black /silver / white
	Luminous Efficiency	up to 170 lm/W
	Led life expectancy	10.000 h
	Environmental class:	C3
	Warranty	5 years

SWD LUMINAIRES				
INDEX	POWER	VOLTAGE	FLUX	EFFICIENCY
SWDI54 [M] [C] 14[X] D 60 [L]	60 W	230 V	8100 lm	135 lm/w
SWDI54 [M] [C] 14[X] D 60 [L] HL	60 W	230 V	9900 lm	165 lm/w
SWDI54 [M] [C] 14[X] D 75 [L]	75 W	230 V	9450 lm	130 lm/w
SWDI54 [M] [C] 14[X] D 75 [L] HL	75 W	230 V	12000 lm	160 lm/w
SWDI54 [M] [C] 14[X] D 90 [L]	90 W	230 V	11250 lm	125 lm/w
SWDI54 [M] [C] 14[X] D 90 [L] HL	90 W	230 V	13950 lm	155 lm/w

Your model:



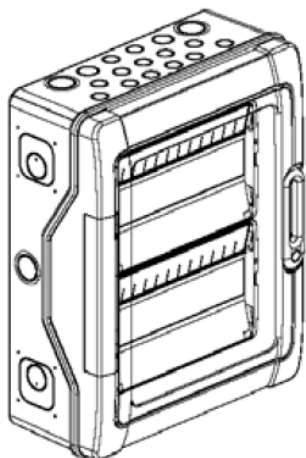
Declaration of performance: DoC 1701-10/SWE/R

DoC 1701-16/SWDD/R

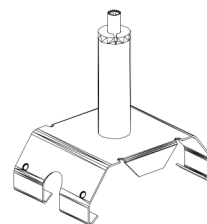
Components & Accessories:

SWDLT3 - Suspension steel wire (3m)

SKEI65 - Weatherproof cabinet with fuses

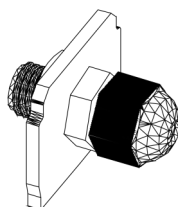


SWDWS - Clamp & Auto griper



Compact designed grippers allow swift installation and instant adjustment without damaging the wire.

SWEZS - SWE Cover cap at start



SWDO - SWE/SWD Safety clip



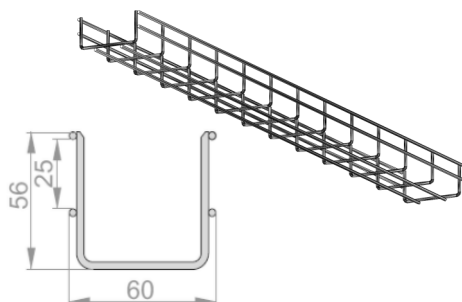
SWEZMS - SWE Cover cap at end



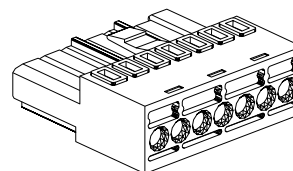
SWEM - PVC Cover for SWE



Wire Mesh Cable Tray (L=3m)



SWDE7 - Connector Wago



Power cable - according to desing

